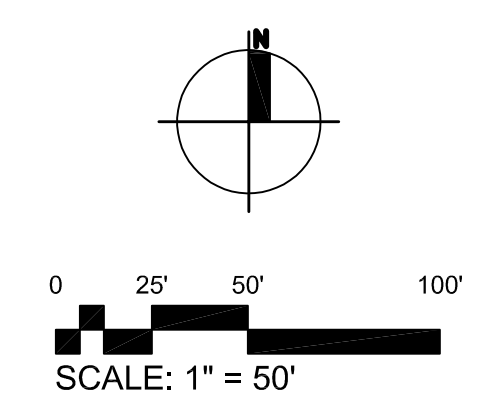


Project Data

Retail:	312,446 sf
Office:	103,748 sf
Residential:	507,839 sf
Total:	924,033 sf
Total Parking Spaces:	1,632 Spaces

CROCKETT ROW
AT WEST 7TH



Crockett Row - SITE PLAN 07-08-19
13160

816 Foch Street
Fort Worth, TX 76107
(817) 810 9076



SHOP cos.
Thomas Glendenning
thomas@shopcompanies.com
214.960.4528

University Drive North & West 7th Street - Fort Worth, Texas